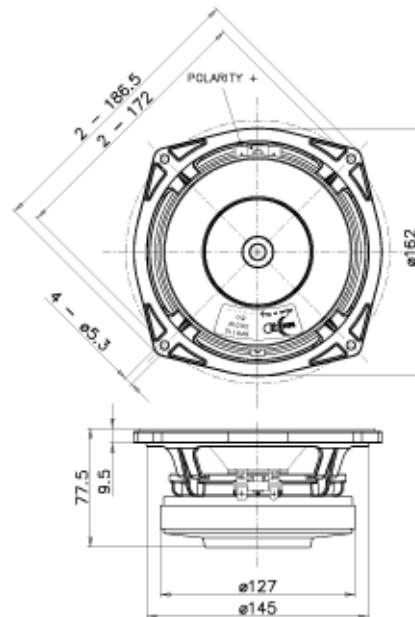




6PR110 Professional Series



NOMINAL SPECIFICATIONS

Nominal Diameter	160 mm (6 in)
Overall Diameter	186.5/162 mm (7.34/6.37 in)
Bolt Circle Diameter	172 mm (6.77 in)
Baffle Cutout Diameter	147 mm (5.78 in)
Depth	77.5 mm (3.05 in)
Flange and Gasket Thickness	9.5 mm (0.37 in)
Net Weight	2.2 Kg (4.85 lb)
Shipping Box (Single Carton Box)	190x185x103 mm (7.48x7.28x4.06 in)
Shipping Weight	2.4 Kg (5.29 lb)

ELECTRICAL SPECIFICATION

Nominal Impedance	8 Ohm
Minimum Impedance	7.3 Ohm
AES Power Handling *	150 W
Maximum Power Handling **	300 W
Sensitivity (1W/1m)	96 dB
Frequency Range	100÷6000 Hz
Voice Coil Diameter	37 mm (1.46 in)
Winding Material	Al
Former Material	Kapton
Winding Depth	7.5 mm (0.30 in)
Magnetic Gap Depth	6 mm (0.24 in)
Flux Density	1.35 T
Magnet	Ferrite Ring
Demodulation	No
Suspension ***	Half Roll

THIELE & SMALL PARAMETERS

Fs	100 Hz
Re	6 Ohm
Qes	0.5
Qms	6
Qts	0.5
Vas	7 dm ³ (0.25 ft ³)
Sd	147.8 cm ² (22.9 in ²)
Xmax ****	2.75 mm
Xdamage *****	11.6 mm
Mms	11.8 g
Bl	9.2 N/A
Le	0.22 mH
Mmd	10.7 g
Cms	0.2 mm/N
Rms	1.2 Kg/s
Eta Zero	1.2 %
EBP	200 Hz

NOTES

Spider Profile: 1x constant height waves

(*) 2 Hours Test According to AES 2-1984 Rev. 2003

(**) Maximum power is defined as 3dB greater than nominal power.

(***) Treated Polycotton

(****) $X_{max} = [(winding\ depth - magnetic\ gap\ depth) / 2] + (magnetic\ gap\ depth / 3)$

(*****) Maximum excursion before permanent damage

CURVES

